

- Ground
- Power
- LED
- Internal Pin
- SWD Pin
- Digital Pin
- Analog Pin
- Other Pin
- Microcontroller's Port
- Default

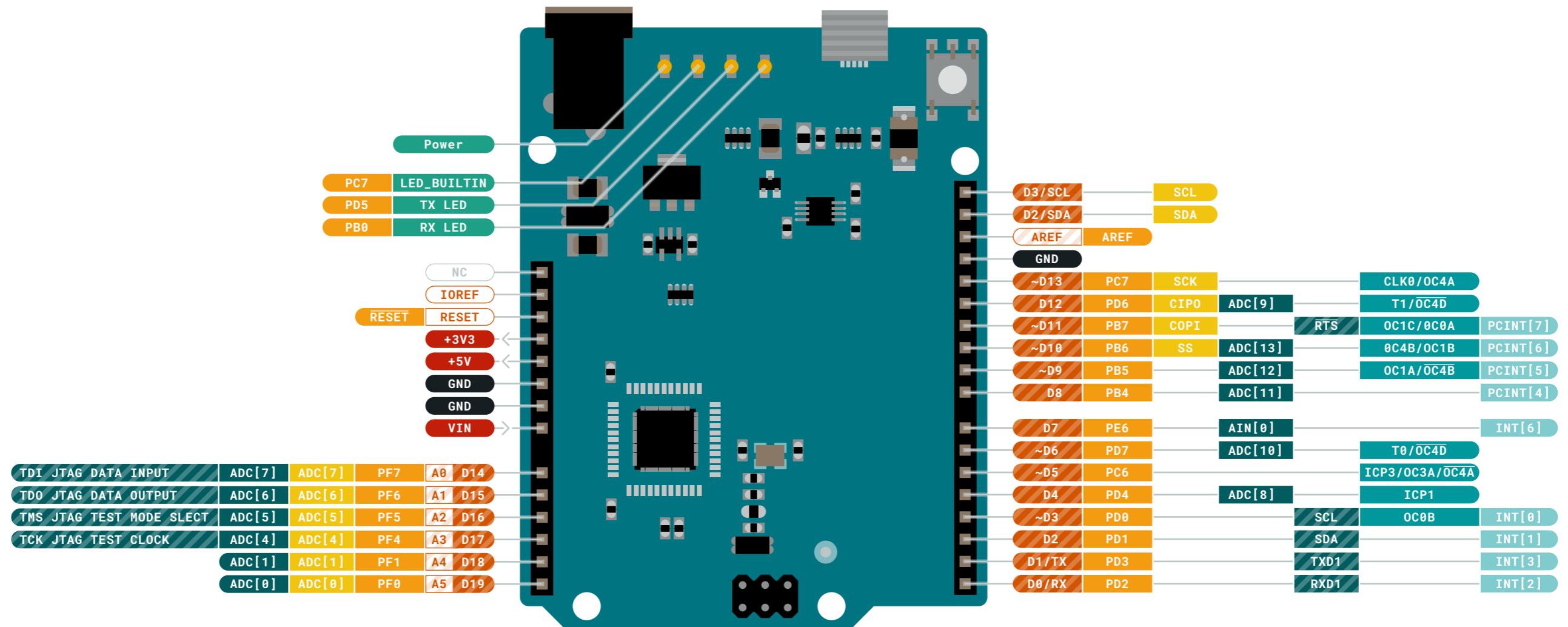
**⚠️ MAXIMUM** current per I/O pin is 20mA

**VIN** 6-20 V input to the board.

**⚠️ MAXIMUM** current per +3.3V pin is 50mA

NOTE: CIPO/COPI have previously been referred to as MISO/MOSI





- Ground
- Power
- LED
- Internal Pin
- SWD Pin
- Digital Pin
- Analog Pin
- Other Pin
- Microcontroller's Port
- Default
- Analog
- Communication
- Timer
- Interrupt
- Sercom

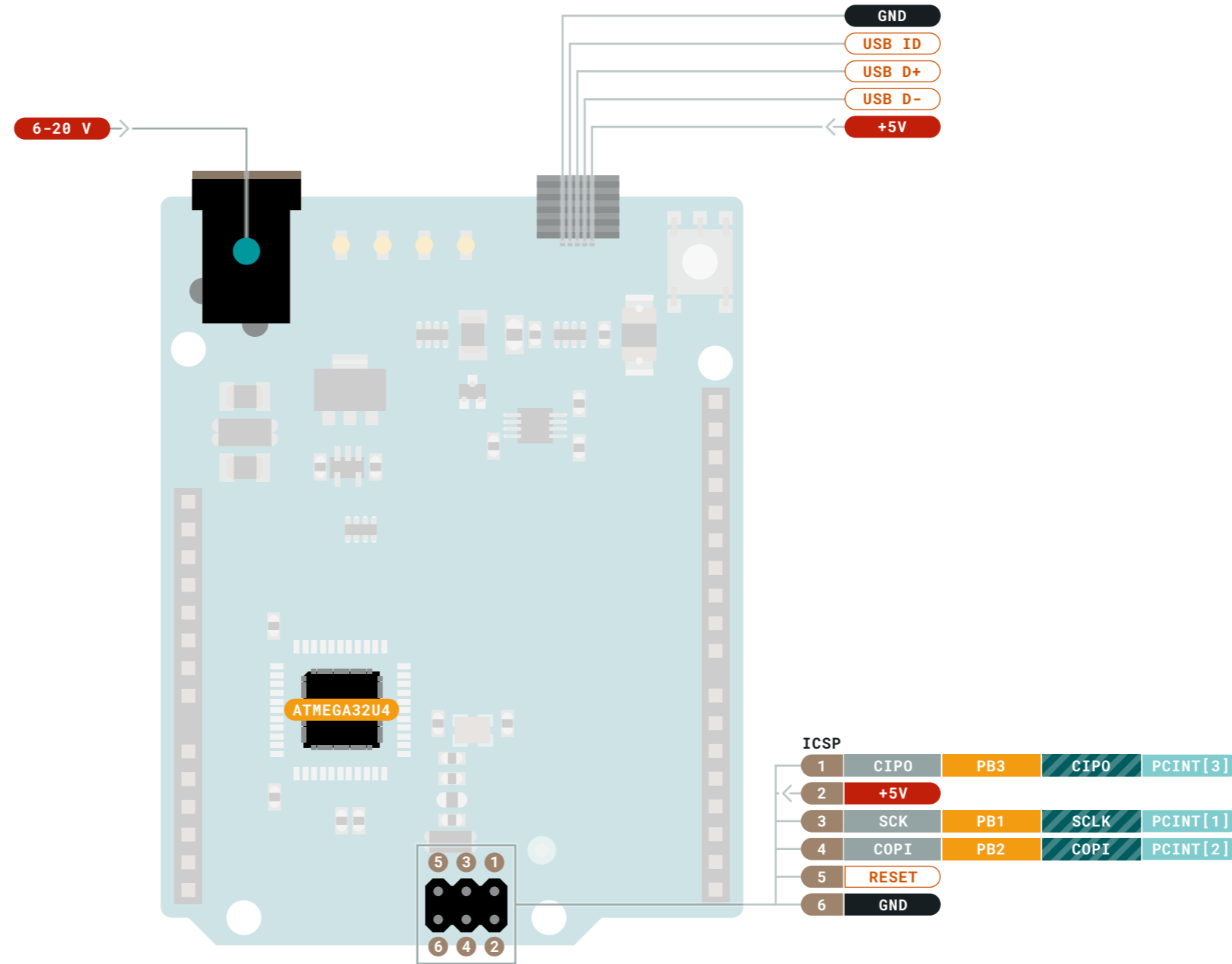
**⚠️ MAXIMUM** current per I/O pin is 20mA

**⚠️ MAXIMUM** current per +3.3V pin is 50mA

**VIN** 6-20 V input to the board.

NOTE: CIPO/COPI have previously been referred to as MISO/MOSI





- Ground
- Power
- LED
- Internal Pin
- SWD Pin
- Digital Pin
- Analog Pin
- Other Pin
- Microcontroller's Port
- Default
- Analog
- Communication
- Timer
- Interrupt
- Sercom

- ⚠ **MAXIMUM** current per I/O pin is 20mA
- ⚠ **MAXIMUM** current per +3.3V pin is 50mA

**VIN** 6-20 V input to the board.

NOTE: CIP0/COPI have previously been referred to as MISO/MOSI

