

Legend:

- Power
- Ground

- Power Input
- Power Output

- GPIO Digital External
- Analog External
- Main Part
- Secondary Part
- Internal Component
- Other Pins (Reset, System Control, Debugging)

- I2C
- SPI
- UART/USART
- Other SERIAL Communication
- Analog
- PWM/Timer
- Default
- Default
- Default
- Default

- LED
- RGB LED
- Other

- MAXIMUM** current per I/O pin is 20mA
- MAXIMUM** current per +3.3V pin is 50mA
- VIN** 6-20V input to the board
- CIP0/COPI have previously been referred to as MISO/MOSI



SKU code: A000066
Full Pinout - Page 1 of 5
Last update: 6 Oct, 2022

DOCS . ARDUINO . CC

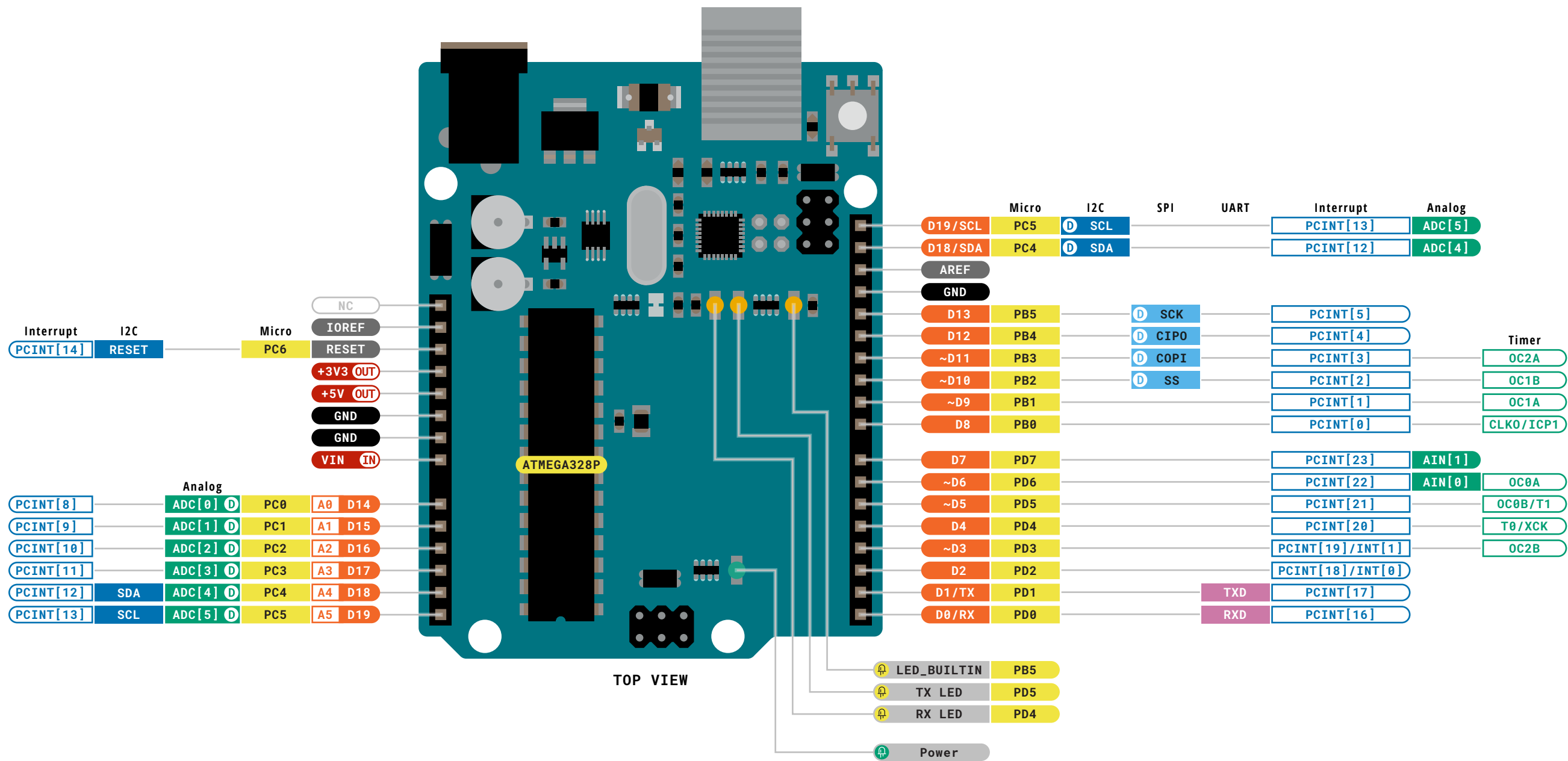
This work is licensed under the Creative Commons Attribution-ShareAlike 4.0 International License. To view a copy of this license, visit <http://creativecommons.org/licenses/by-sa/4.0/> or send a letter to Creative Commons, PO Box 1866, Mountain View, CA 94042, USA.

WARNING!

Advanced Section

The following information is for advanced use only and may not be officially supported by Arduino software





Legend:

- Power: Power Input (IN), Power Output (OUT), Ground
- GPIO Digital External: Main Part, Secondary Part, Internal Component, Other Pins (Reset, System Control, Debugging)
- Analog External
- I2C, SPI, UART/USART, Other SERIAL Communication, Analog, PWM/Timer
- Default (D)
- LED, RGB LED, Other

Warnings:

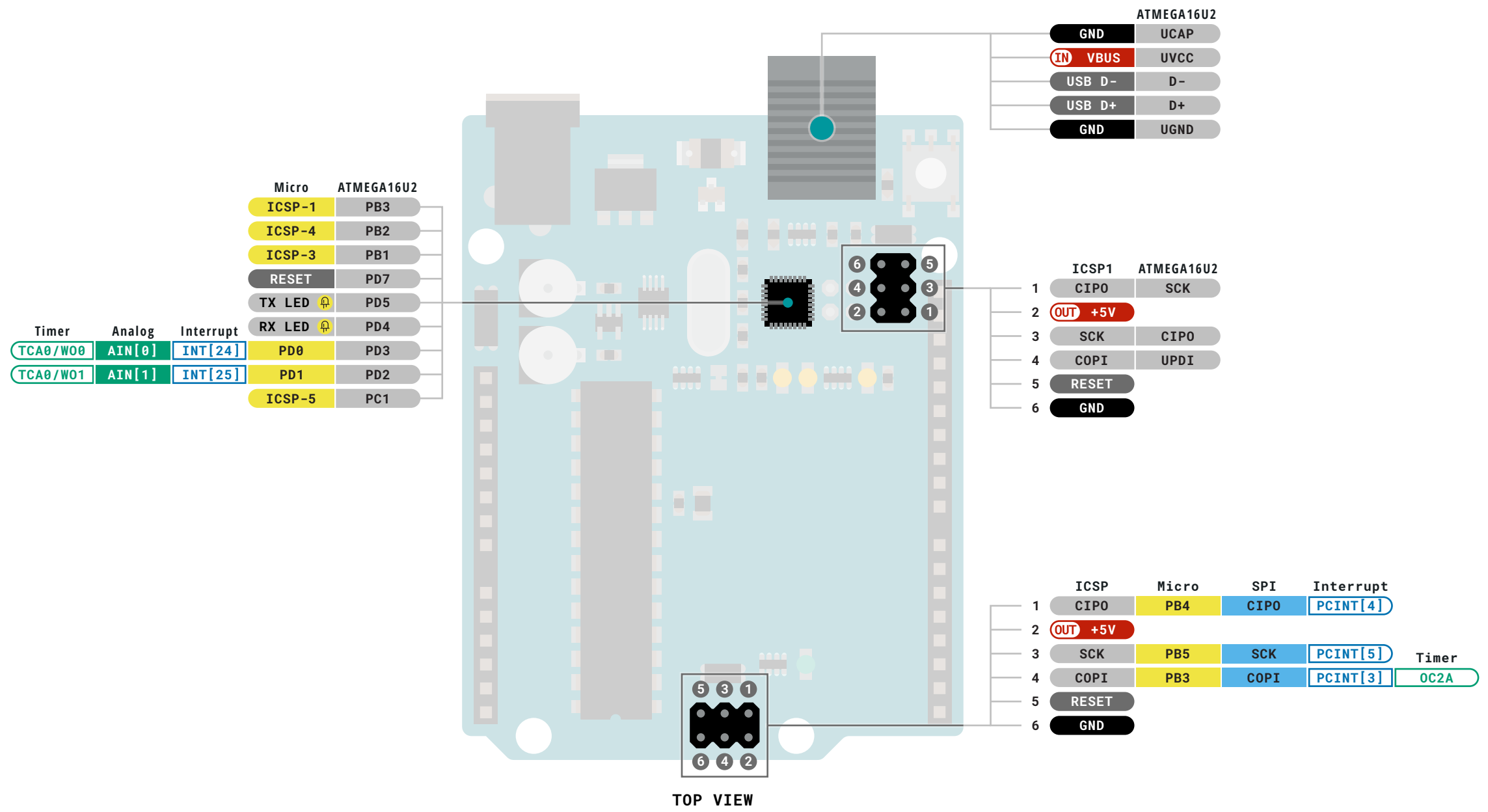
- MAXIMUM** current per I/O pin is 20mA
- MAXIMUM** current per +3.3V pin is 50mA
- VIN** 6-20V input to the board
- CIP0/COPI have previously been referred to as MISO/MOSI

UNO R3 BOARD

SKU code: A000066
Full Pinout - Page 3 of 5
Last update: 6 Oct, 2022

DOCS.ARDUNO.CC

This work is licensed under the Creative Commons Attribution-ShareAlike 4.0 International License. To view a copy of this license, visit <http://creativecommons.org/licenses/by-sa/4.0/> or send a letter to Creative Commons, PO Box 1866, Mountain View, CA 94042, USA.



Legend:

- | | | | | | |
|--------|--------------|-----------------------------------------------|----------------------------|---------|---------|
| Power | Power Input | GPIO Digital External | I2C | Default | LED |
| Ground | Power Output | Analog External | SPI | Default | RGB LED |
| | | Main Part | UART/USART | Default | Other |
| | | Secondary Part | Other SERIAL Communication | Default | |
| | | Internal Component | Analog | | |
| | | Other Pins (Reset, System Control, Debugging) | PWM/Timer | | |

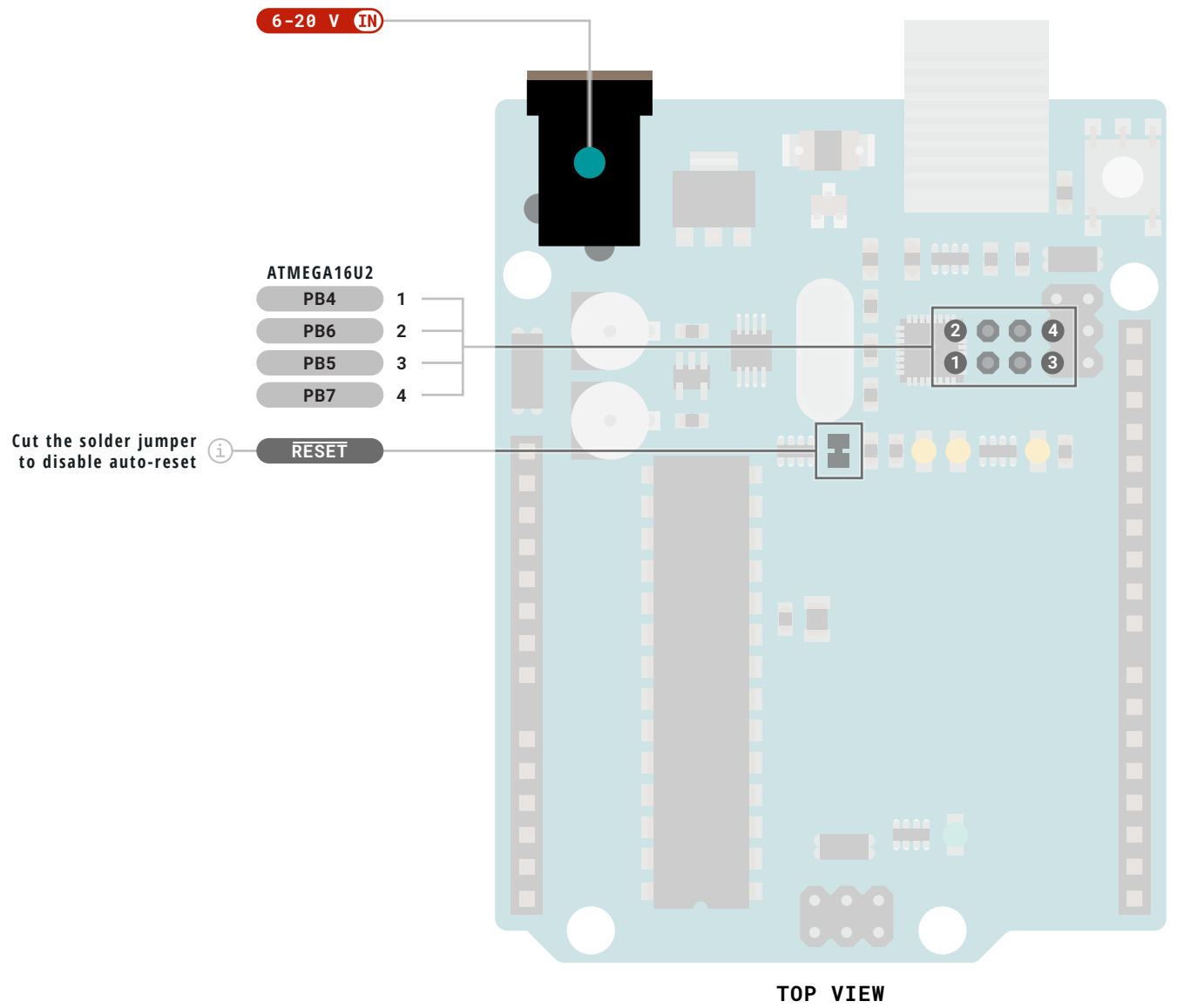
- MAXIMUM** current per I/O pin is 20mA
- MAXIMUM** current per +3.3V pin is 50mA
- VIN** 6-20V input to the board
- CIP0/COPI have previously been referred to as MISO/MOSI



SKU code: A000066
Full Pinout - Page 4 of 5
Last update: 6 Oct, 2022

DOCS . ARDUINO . CC

This work is licensed under the Creative Commons Attribution-ShareAlike 4.0 International License. To view a copy of this license, visit <http://creativecommons.org/licenses/by-sa/4.0/> or send a letter to Creative Commons, PO Box 1866, Mountain View, CA 94042, USA.



Legend:

- Power
- IN Power Input
- OUT Power Output
- Ground
- GPIO Digital External
- Analog External
- Main Part
- Secondary Part
- Internal Component
- Other Pins (Reset, System Control, Debugging)
- Ⓛ LED
- Ⓛ RGB LED
- Other

- ⚠ **MAXIMUM** current per I/O pin is 20mA
- ⚠ **MAXIMUM** current per +3.3V pin is 50mA
- ⓘ **VIN** 6-20V input to the board
- ⓘ CIP0/COPI have previously been referred to as MISO/MOSI



SKU code: A000066
 Full Pinout - Page 5 of 5
 Last update: 6 Oct, 2022

DOCS . ARDUINO . CC

This work is licensed under the Creative Commons Attribution-ShareAlike 4.0 International License. To view a copy of this license, visit <http://creativecommons.org/licenses/by-sa/4.0/> or send a letter to Creative Commons, PO Box 1866, Mountain View, CA 94042, USA.